

Lab Sheet: LED and Button control in Python

This lab sheet is a warm-up exercise in controlling the Raspberry Pi through high-level Python code. Note that the main learning objective of this course is to control the Raspberry Pi on system level, using C and Assembler code. The role of this lab is mainly to familiarise yourself with basic usage of the Raspberry Pi, and to get started with wiring up external devices in the same way that we will use in the main lab exercises in the following weeks.

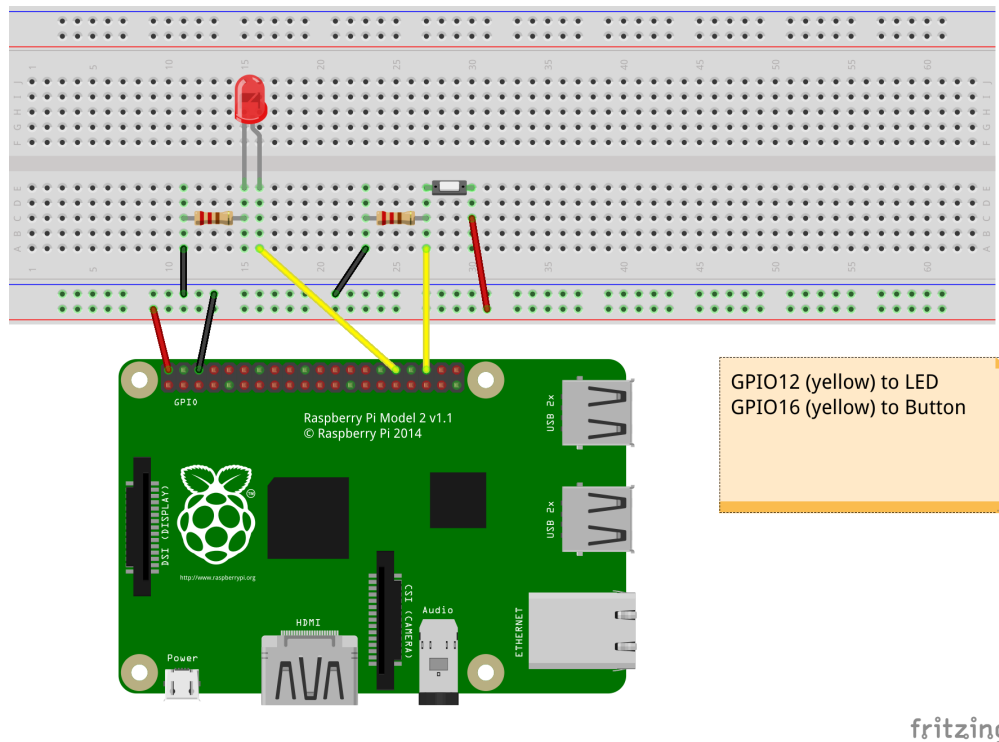
The concrete task for this lab exercise is to control an LED, wired up through a breadboard to a Raspberry Pi 2, using a very simple Python script as discussed in the first tutorial. You need to draw on the BCM peripherals documentation to interact with the external devices.

The tasks should be performed on a Raspberry Pi 2, which you can get on loan from the department, hooked up via a KVM to a monitor and keyboard of one of the machines in the Linux lab (EM 2.50). You can try the same exercise in your own time with the Pi2 directly connected to a keyboard and monitor, e.g. at home. In each case, you need to wire up the external devices (LED and Button) using a breadboard and jumper cables as described below.

Wiring up external devices

An **LED**, as output device, should be connected to the RPi2 using **GPIO pin 12**. You will need a resistor to control the input to the LED. Lookup the wiring diagram in the handout from “Adventures in Raspberry Pi”, Section 8, Fig 8-8, but note the difference in pin usage here.

The Fritzing diagram below visualises this wiring. You can ignore the wiring of a button (in the middle of the breadboard), and only use the wiring of the LED on the left hand side.



Test the pins

There are several ways how you can test that the wiring is correct. Pick one of the options below.

Option 1: Python scripts

In [Tutorial 1](#) we discussed a short Python script that makes the on-board led blink. It is available from the [sample sources section for Tutorial 1](#). This can be easily modified for other PINs, that are wired to an external LED: you only have to change the pin number. The hand-out chapter in the “Adventures in Raspberry Pi” discusses this in more detail.

Option 2: WiringPi library and interface

Since we are programming in C and Assembler in most parts of the course, it is recommended that you install the `wiringPi` library by Gordon Henderson.

Installing wiringPi: Perform the following steps on the command-line, to download a Debian package containing the `wiringPi` library, and then installing it. Once done, you have a command `gpio` that you can run from the command-line as shown below. The first command downloads a package in the current folder. Alternatively, [download this file](#) using a web browser and then go to (`cd`) into the download folder.

```
> wget http://www.macs.hw.ac.uk/~hwloidl/Courses/F28HS/Resources/wiringpi-latest.deb
> sudo dpkg -i wiringpi-latest.deb
# Now you should be able find a command 'gpio' in your path. Test this with:
> which gpio
/usr/bin/gpio
# You can print GPIO pin layout with this command:
> gpio readall
```

Using wiringPi you can test your LED like this:

```
> gpio -g mode 12 out
> gpio -g write 12 1
```

and your LED (on Pin 12) should turn on. But remember this is just for testing. The Learning Objective of the lab is to achieve this kind of control through your own C program, without using external libraries. To close the session, turn the LED off again, like this

```
> gpio -g write 12 0
```

Another useful command is

```
> gpio readall
```

which shows the settings for all GPIO pins, and whether they are configured for input or output.

Option 3: Linux SysFS

The second half of [Tutorial 1](#) discusses how you can use the Linux SysFS filesystem to control the LED directly from the command-line. You don't need any special libraries or packages for this. Just type (you need to do this as root, therefore the first command `sudo su` to give you a root shell):

```
> sudo su
> echo 12 > /sys/class/gpio/export
> echo out > /sys/class/gpio/gpio12/direction
> echo 1 > /sys/class/gpio/gpio12/value
```

and your LED (on Pin 12) should turn on. See the [the sample sources section for Tutorial 1](#) to download a shell script doing this in one go. Once finished, close your session like this

```
echo 0 > /sys/class/gpio/gpio12/value
echo 12 > /sys/class/gpio/unexport
```

Developing a simple Python script for a blinking LED

The main task of this lab is to write a simple Python script to make an LED blink in the same way as discussed in class for the on-chip ACT LED (pin 47). The LED should be connected via the breadboard to **pin 12**. The code needs to configure this pin for output, and then in a loop turn the LED on/off, with a fixed delay between state changes.

Start from the sample code discussed in class: [test_led.py](#), which implements this control for the ACT LED. You will have to change the code to work with pin 12.

Different forms of pin numberings

Sadly, there are 3 different ways to number the GPIO pins, and this can be confusing when starting to wire-up a configuration. In all exercises, we will be using the **BCM numbering**. For picture, covering all 3 numberings on the RPi, see [this page](#).

- The *physical numbering* is the most intuitive one: it numbers the pins by physical location on the device, starting in a corner, with even numbers on the out- and odd numbers on the in-side;
- The *BCM numbering* uses the numbers given to the pins in Broadcom's technical manuals for the BCM2835/2836 chips. It's the most widely used numbering and sometimes identified by putting the BCM in front of the pin number, e.g. BCM 12.
- The *wiringPi numbering* numbers the data pins from 1 onwards, and is used per default in the wiringPi library.

For this exercise, the pin numbers, in the different numberings are:
LED on pin 12 (BCM), 26 (wiringPi), 32 (physical)