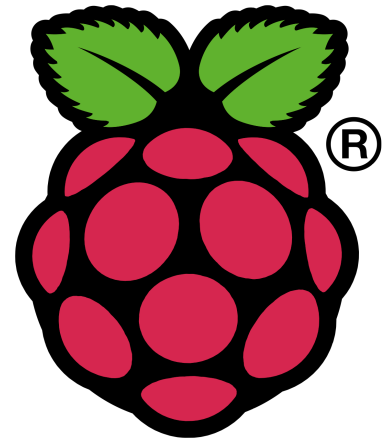


Raspberry Pi Architecture

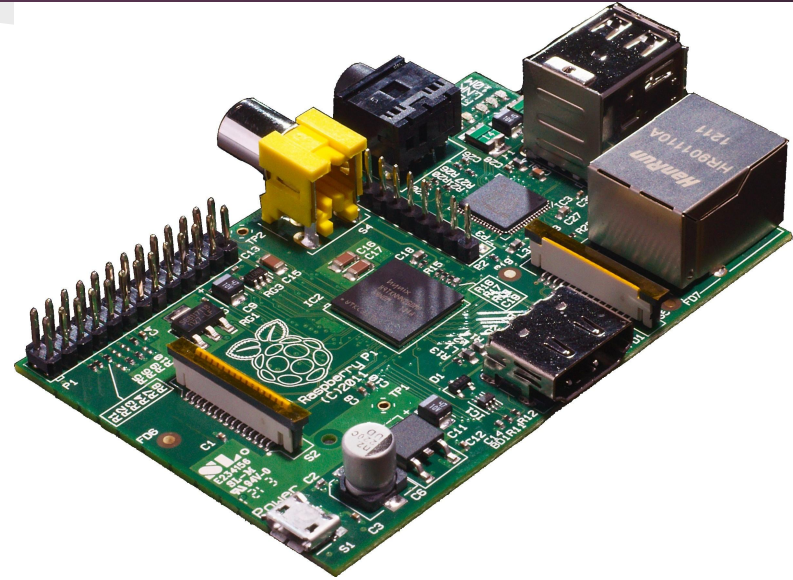
Jon Holton and Tim Fratangelo



Raspberry Pi Foundation

Agenda

- Background Info
- Full Architecture Overview
- CPU Overview
- CPU Pipeline Stages
- Branch Prediction and Folding
- GPU Overview
- Applications

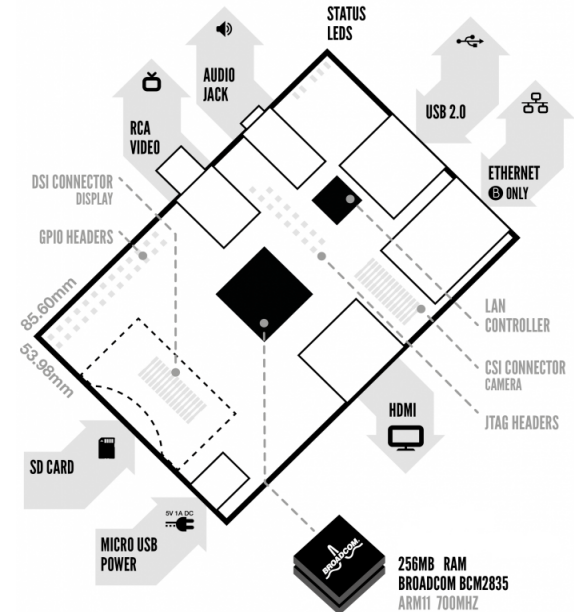


Background Info

- Created by Eben Upton, Rob Mullins, Jack Lang and Alan Mycroft at University of Cambridge
- They, in conjunction with Pete Lomas and David Braben, formed the Raspberry Pi Foundation
- The Model B was mass produced by Premier Farnell and RS Electronics in 2011
- Was created to provide inexpensive programming machines to today's youth

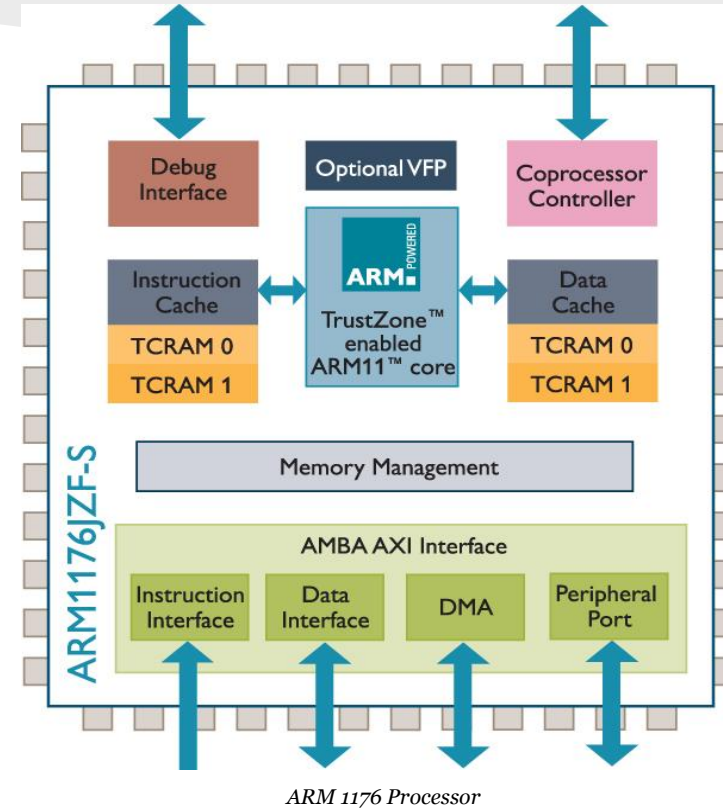
Full Architecture Overview

- Two Models A & B, priced at \$25 and \$35 respectively
- Model A/B:
 - Broadcom BCM2835 (CPU & GPU)
 - 256/512MB SDRAM
 - 1/2 USB 2.0 Ports
 - None/Ethernet Port
 - HDMI
 - Audio
 - SD Card Slot
 - Micro USB for power



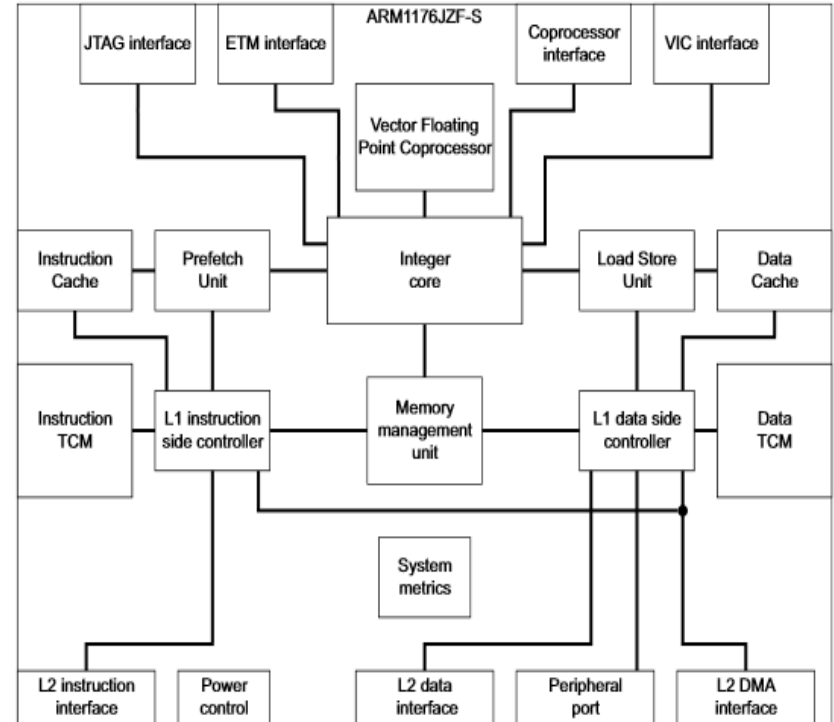
BCM2835: CPU Overview

- ARM11J6JZF-S (ARM11 Family)
- ARMv6 Architecture
- Single Core
- 32-Bit RISC
- 700 MHz Clock Rate
- 8 Pipeline Stages
- Branch Prediction



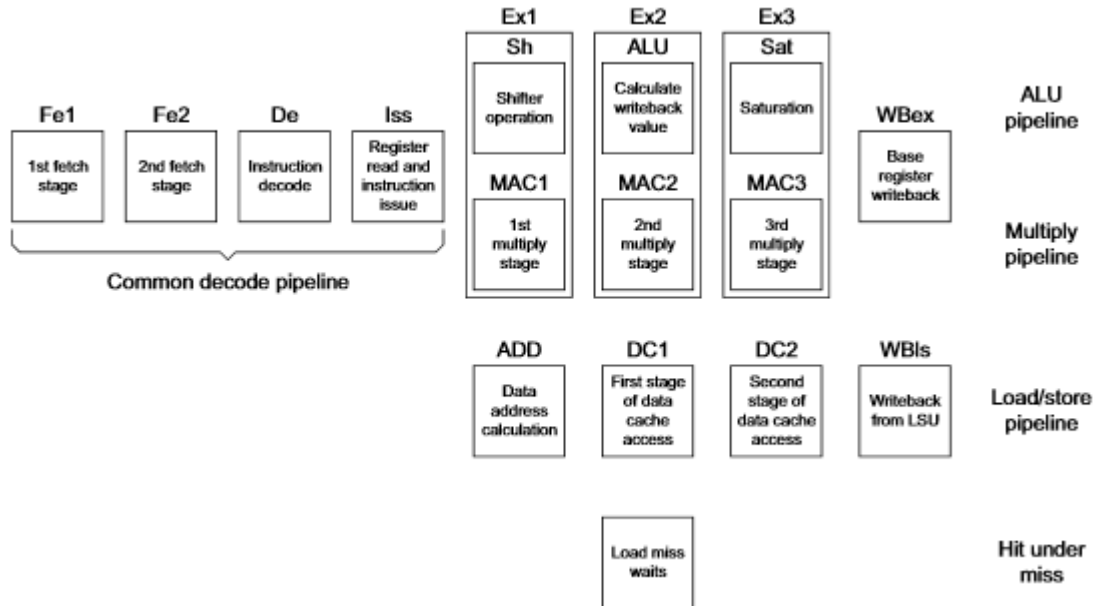
BCM2835: CPU Overview

- Core
- Load Store Unit
- Prefetch Unit
- Memory System
- Level One Mem. System
- Interrupt Handling
- System Control
- AMBA Interface
- Coprocessor Interface
- Debug
- Instruction cycle summary and interlocks
- Vector Floating-Point



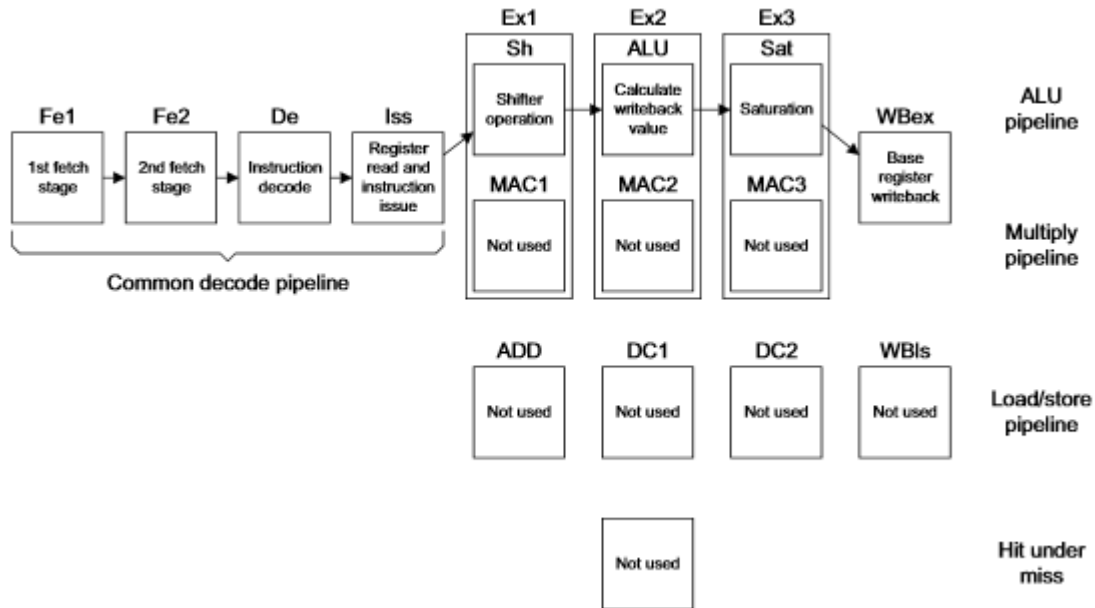
CPU Pipeline Stages

Pipeline stages used by ARM1176JZF-S



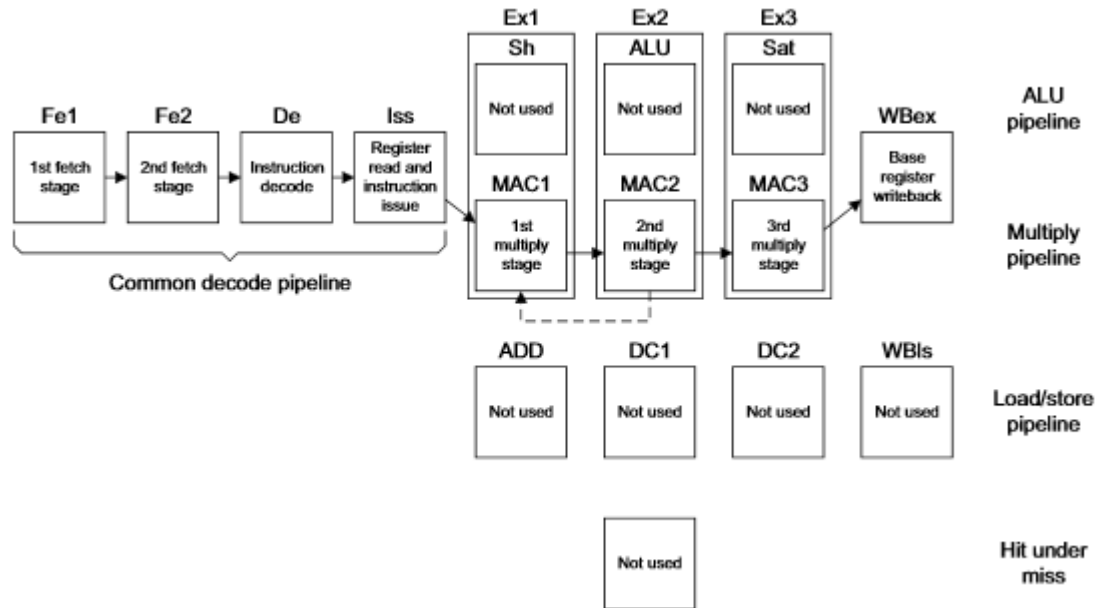
CPU Pipeline Flow

Execution flow for ALU operations



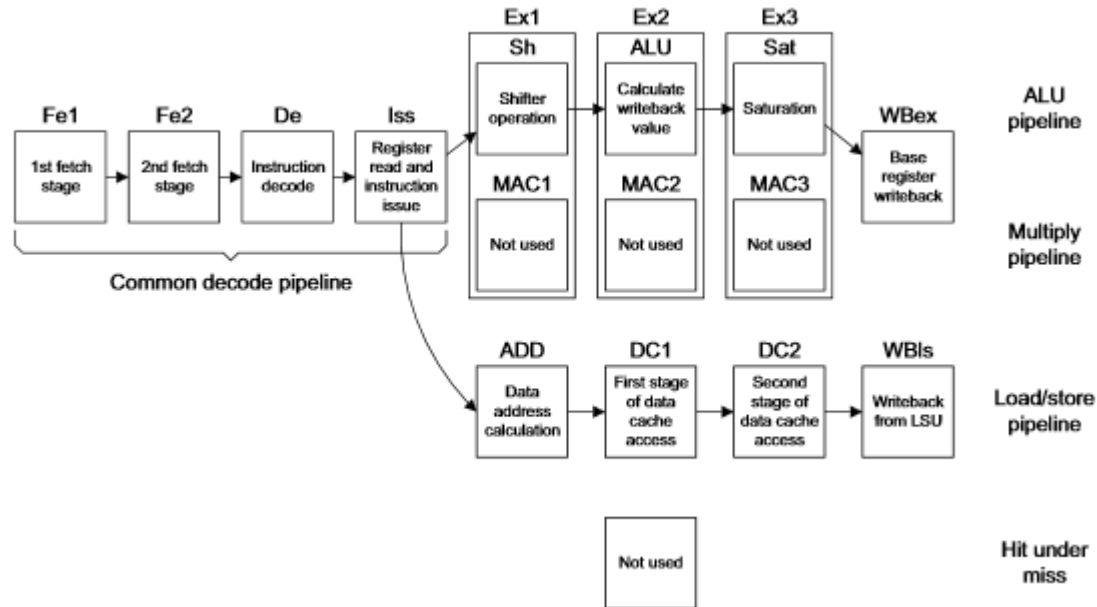
CPU Pipeline Flow

Execution flow for Multiply Operations



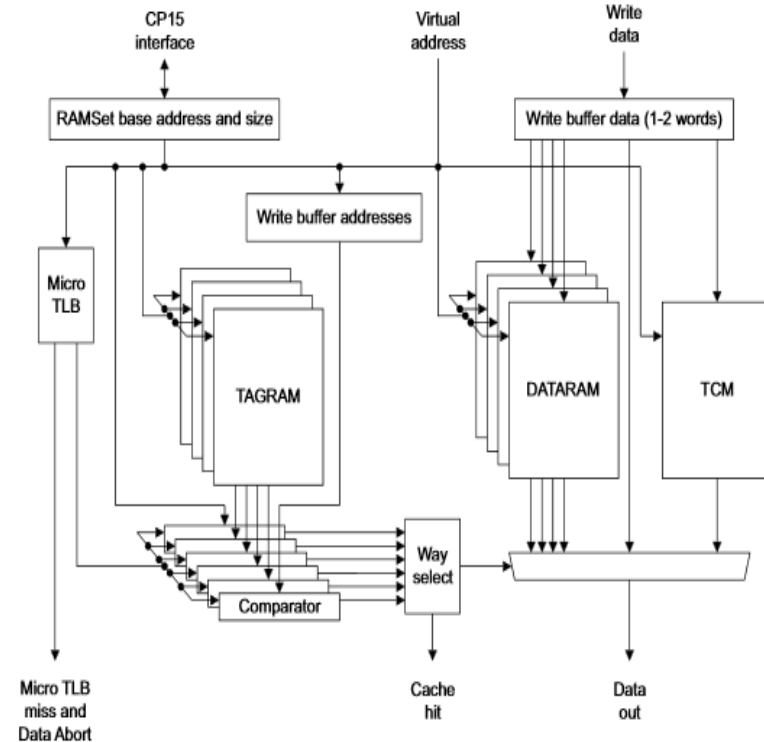
CPU Pipeline Flow

Execution flow for Load/Store Operations



CPU Cache Organization

- Harvard Implementation (Simultaneous access for program memory and data memory)
- Write policy can be either write-back or write-through
- Replacement policy is either pseudo-random or round robin (controlled by RR bit)



BCM2835: Branch Prediction

- The Fetch stage can hold up to four instructions, allowing for prediction to occur on held instructions
- All predictions are resolved by the third execution stage
- Uses dynamic Prediction when there is a history associated with a branch
- Uses static prediction without history
 - backward branches being predicted as taken
 - forward branches as not taken.
- Two addresses are stored in the case of a failed prediction:
 - Recovery address if branch taken was predicted
 - Target address if branch not taken was predicted

BCM2835: Branch Folding

Branch instructions are removed from the pipeline if the following conditions are met:

- The instruction is not a branch with a link (address is stored in a linked register)
- The instruction does not point to a code sequence that contains a branch in the first two instructions
- The instruction is not break-pointed
- The instruction is not aborted

This method can produce a CPI for branch instructions that is much lower than 1

BCM2835: GPU Overview

- Broadcom Videocore IV
- Uses OpenGL ES2.0
- Performance: 24 GFLOPS
- RPi can play 1080p Blu-Ray quality videos
- Graphical capabilities are similar to the those of the original XBOX

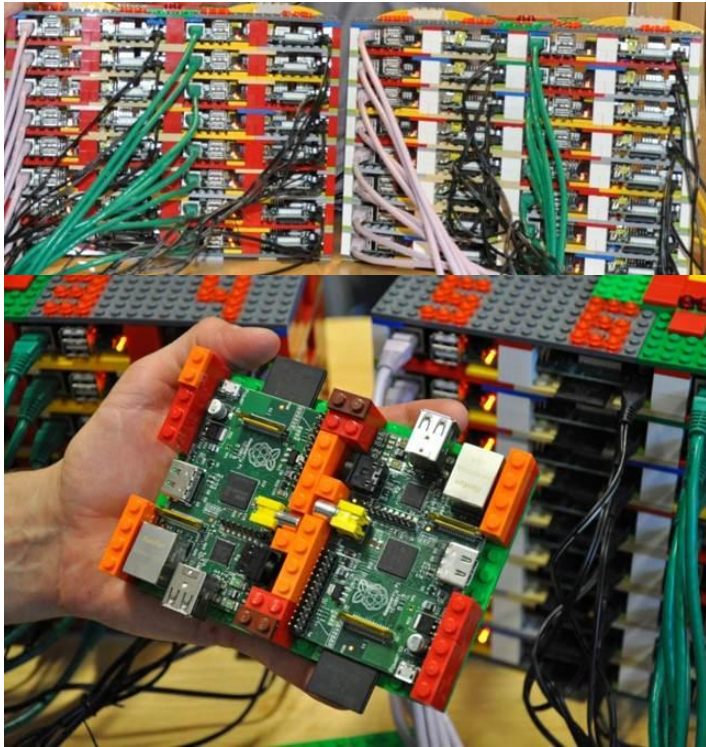


Applications and Uses

- Robotics
- Game emulation
- Media Servers
- Education (Python is the primary language used)
- Powerful enough to be used as a personal computer
- Thousands of other projects (Often used in Senior Design)



64 Raspberry Pi Cluster



- 64 Raspberry Pi's
- Total power usage ~192 watts
- Each Pi's GPU provides ~24 gigaflops in graphical processing power

Questions?



References

Raspberry Pi Foundation

<http://www.raspberrypi.org/trademark-rules>

<http://www.raspberrypi.org/about>

elinux.org

<http://elinux.org/File:Raspi-Model-AB-Mono-2-699x1024.png>

ARM 1176 Processor

<http://www.arm.com/products/processors/classic/arm11/arm1176.php>

ARM1176JZF-S Technical Reference Manual

http://infocenter.arm.com/help/topic/com.arm.doc.ddio301h/DDIO301H_arm1176jzfs_rop7_trm.pdf

Simon Cox

http://www.southampton.ac.uk/~sjc/raspberrypi/pi_supercomputer_southampton.htm

Ars Technica

<http://arstechnica.com/information-technology/2012/12/10-raspberry-pi-creations-that-show-how-amazing-the-tiny-pc-can-be/2/>

SNESDev-RPi

<https://www.youtube.com/watch?v=4TvH1ohcCus>

Sparkfun.com

<https://www.sparkfun.com/tutorials/372>